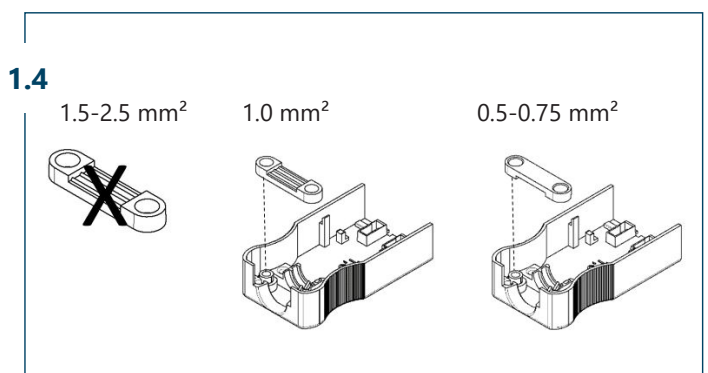
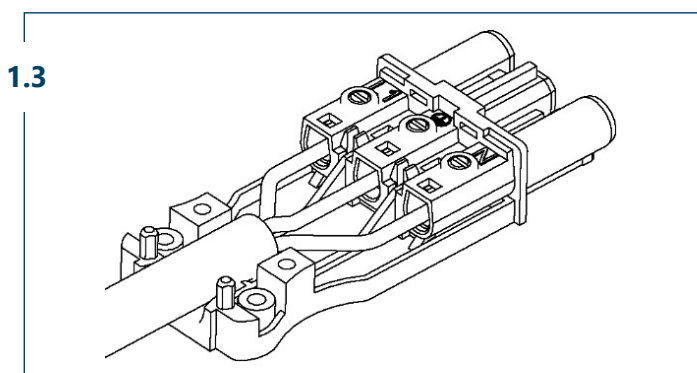
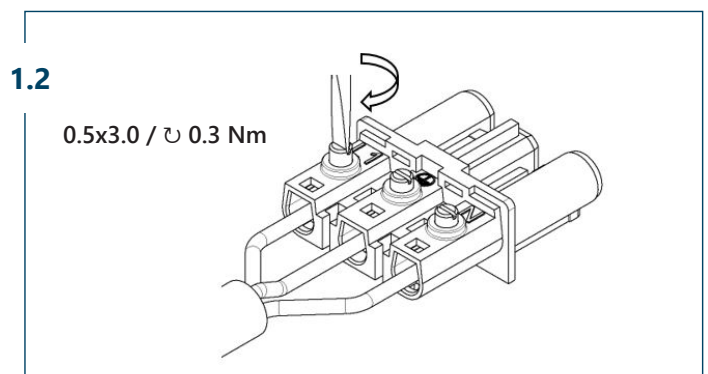
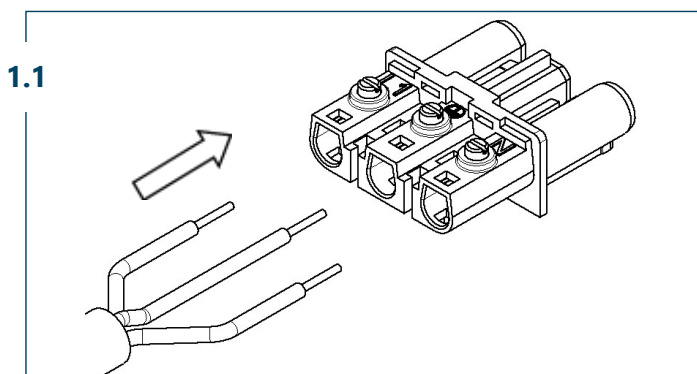
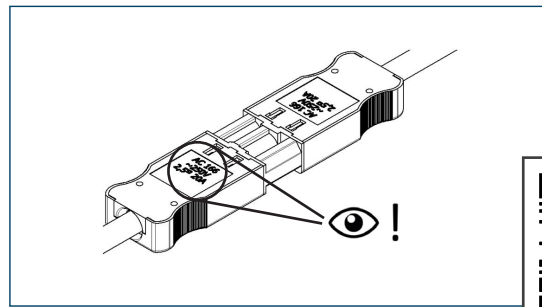
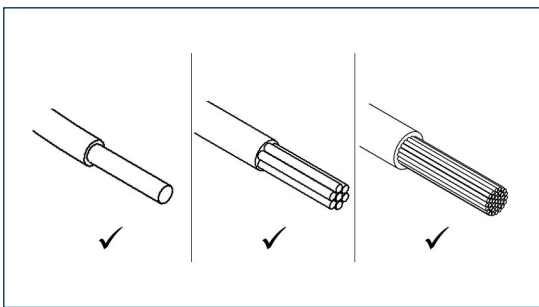
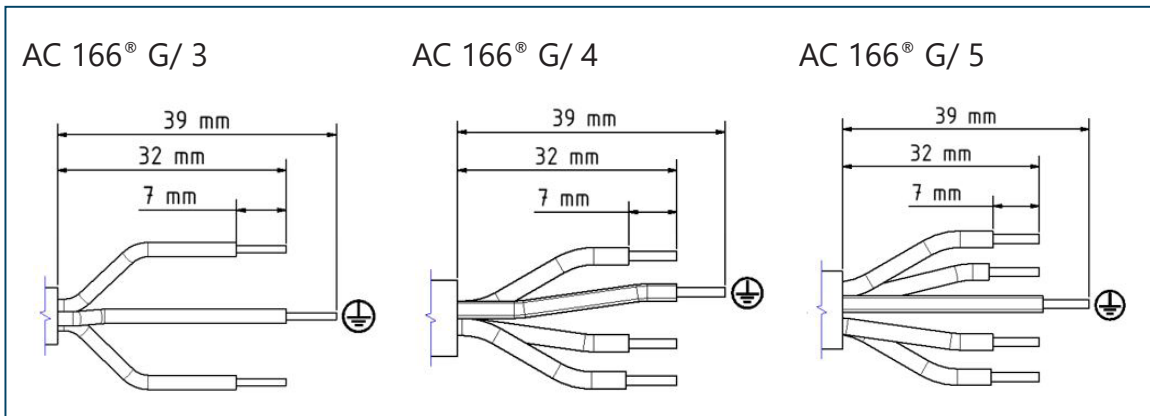
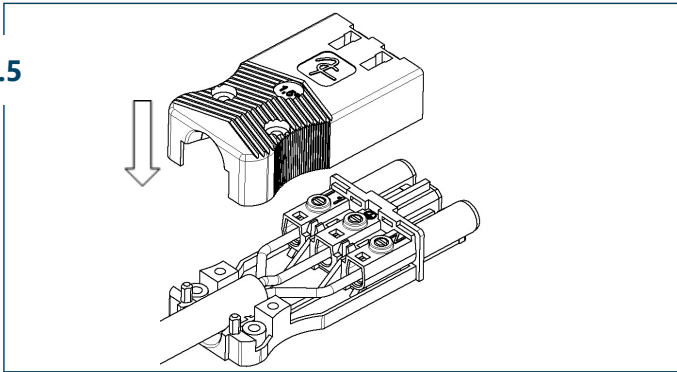


AC 166® GSTF-GBUF

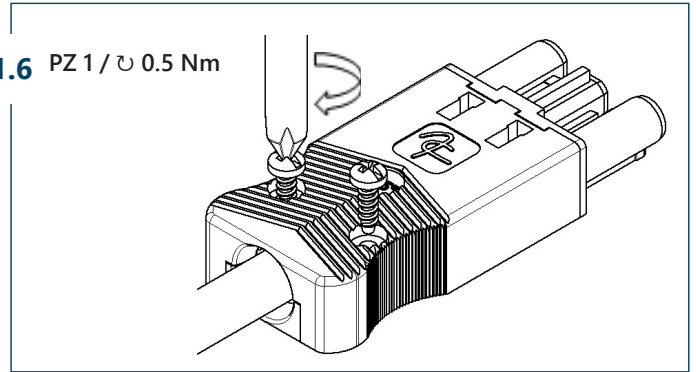
Montage / Installation / Ensamblaje / Assemblaggio



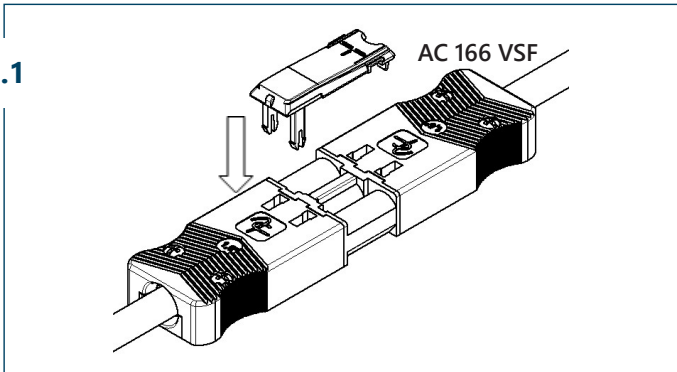
1.5



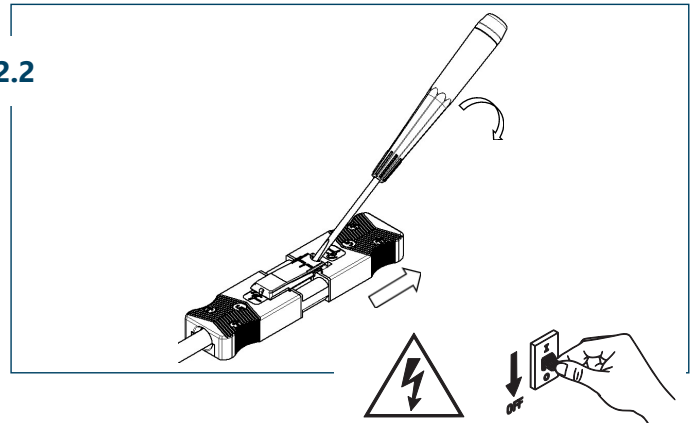
1.6 PZ 1 / \varnothing 0.5 Nm



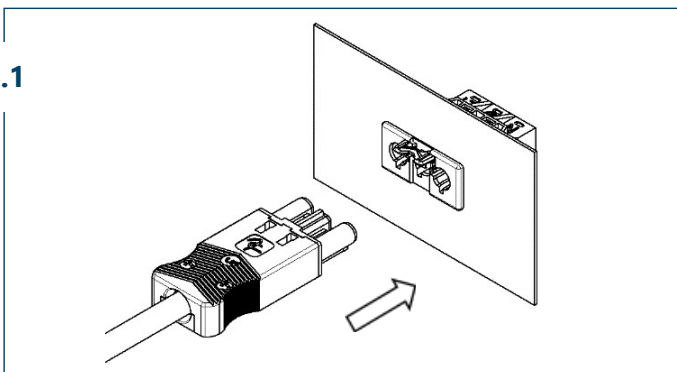
2.1



2.2



3.1



3.2

